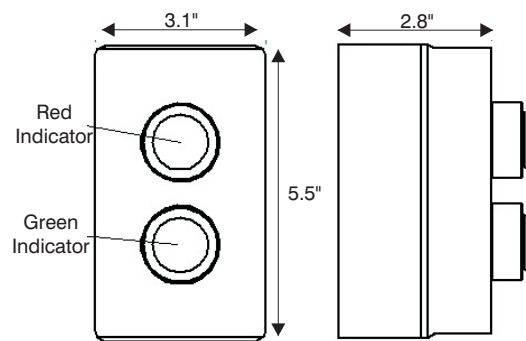
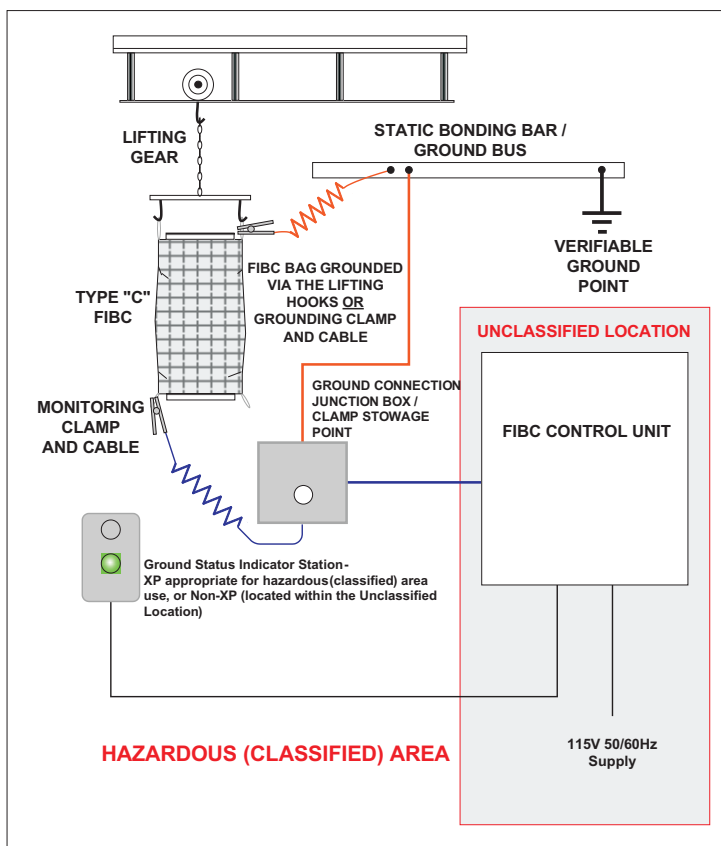


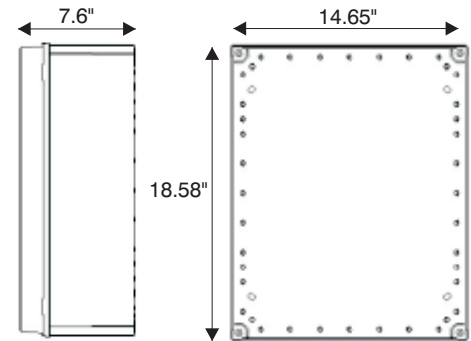
Earth-Rite[®] FIBC

Static Grounding for Type C FIBC bags

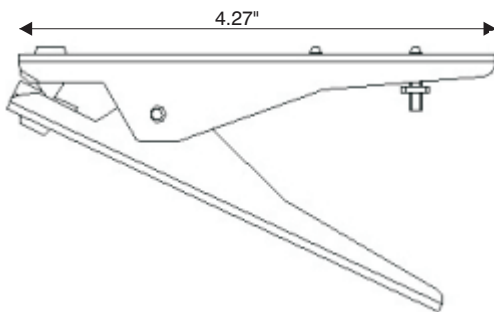
Technical Specification for FM Approved Version



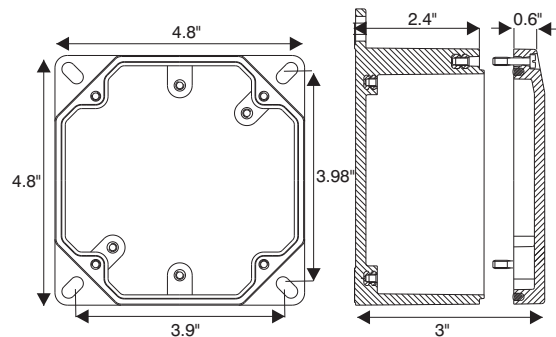
FIBC Indicator Station



FIBC Control Unit



FIBC Monitoring Clamp



FIBC Ground Connection Junction Box


Newson Gale | For over 25 years Newson Gale has been supplying the chemical and processing industry worldwide with its market leading range of static control products ensuring people and plant are protected from static related fires and explosions.



Technical Specification for FM Approved Version

<p>Control Unit PSU Galvanic Isolator Monitoring Unit</p> <p>Power Supply Power Rating Maximum Ambient Temperature Ingress Protection Weight Construction Gland/Conduit Entries Control Contact Rating</p> <p>Output to Indicator Station</p>	<p>Intrinsically safe associated apparatus (non-IS input, IS Output) Intrinsically safe associated apparatus (non-IS input, IS Output) Intrinsically safe (inputs and outputs)</p> <p>110/120V or 220/240V AC, 50-60 Hz 9 watt (not including any indicator station) 40°C IP 65 / NEMA 4X 7.5 kgs (16.5 lbs) nett Polycarbonate 4 x 3/4" diameter 1 off voltage free switched contacts rated at: 2A at 240V ac, resistive 4A at 110V ac, resistive 1 off line voltage switch contact rated at 2A ac, resistive</p>
<p>Ground Connection Junction Box Enclosure Material Cable Entries</p>	<p>Carbon Loaded GRP 4 x M20</p>
<p>Grounding Clamp Clamp Design Cable</p>	<p>Stainless Steel Body and Contact Blue Hytrel Sheathed Single Conductor #12 AWG</p>
<p>Grounding Clamp & Cable (where applicable) Clamp Design Cable</p>	<p>Alloy/Steel Body with Steel Contact Orange Hytrel Sheathed Single Conductor #12 AWG</p>


Ordering Code	Product Description
EMUF01U	Earth-Rite FIBC System (FM Approved) * 110/120 Vac
EMUF01U/230	Earth-Rite FIBC System (FM Approved) * 220/240Vac
	* supplied with 5m (16ft) Cen-Stat Hytrel single conductor monitoring spiral cable standard



Earth-Rite FIBC
 Static Earthing System
 PSU-Interface_Monitoring Unit

Um = 126Vac / 50-60Hz / 9W (North American Version - 115V Nominal)
 Um = 253Vac / 50-60Hz / 9W (Alternative Version - 230V Nominal)

ASSOCIATED INTRINSICALLY SAFE
 CIRCUITS FOR CONNECTION TO:
 CL I Div 1 Groups A, B, C, D
 CL II Div 1 Groups E, F, G
 CL III Tamb = 40°C


FM APPROVED

CONTROL DRAWING No. FIBC-Q-01

WARNING - SUBSTITUTION OF COMPONENTS MAY IMPAIR INTRINSIC SAFETY

Certification Label Details

The Earth-Rite FIBC forms part of the Earth-Rite range of Static Grounding and Bonding Equipment available from Newson Gale



Leading the way in hazardous area static control

www.newson-gale.com

Newson Gale Inc
 460 Faraday Avenue
 Unit B, Suite 1
 Jackson, NJ 08527
 USA

Tel: +1 732 987 7715

Fax: +1 732 791 2182

Email: groundit@newson-gale.com

Newson Gale Ltd
 Omega House
 Private Road 8
 Colwick, Nottingham
 NG4 2JX, UK

Tel: +44 (0)115 940 7500

Fax: +44 (0)115 940 7501

Email: groundit@newson-gale.co.uk